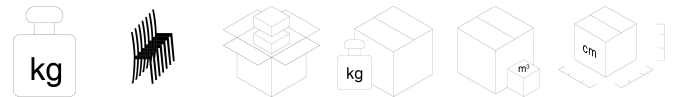
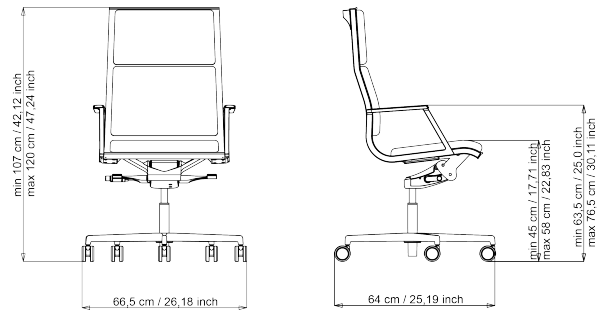


NULITE

Design Luxy R&D

article: 28040
code: 4NL2802



20 no 1 23 0,3 91x70x68



Patent: 10022644
Warranty: 5 years

DESCRIPTION

EXECUTIVE, HIGH BACKREST, WITH CHROMED ALUMINIUM ARMRESTS, DECENTRATED MULTIBLOCK MECHANISM, POLISHED ALUMINIUM BASE, WITH Ø 65 MM BLACK WHEELS.

FINISHING: Chromed or painted with white and black epoxy powders with anti-scratch treatment.

BACK: PVC support, fireproof foam.

SEAT: PVC support, fireproof foam.

STRUCTURE: seat/back structure in high resistance steel tube 25x28 mm thickness 1,5 mm, with chrome plated or white epoxy powder finish and anti-scratch treatment.

ARMRESTS: in die-cast aluminum with chromed or epoxy powder painted finish, white or black anti-scratch epoxy powders; with padded steel insert and lining to match the seat and back.

MECHANISM: tilt multiblock.

BASE: swivel 5 or 4 star base in die-cast aluminum with glossy finish or painted with white or black epoxy powders with anti-scratch treatment.

CASTORS: self-braking rubber (standard) Ø 65 mm chromed, black or white.

UPHOLSTERY: 28000 SERIES: not removable upholstery, in foam density 65 kg/m³, thickness 20 mm.

MAINTENANCE

CHROME PLATED PARTS: Clean with a soft cloth with some neutral detergent to polish the steel.

PAINTED PARTS: Clean with soft cloth dampened slightly with water and dry with a dry cloth.

PLASTIC PARTS: Use soft cloth dampened slightly with water, without insistence, then dry with a dry cloth.

ALUMINIUM PARTS: To clean use only specific products to polish metal parts in order to reduce the natural oxidation due to the hands contact. The aluminum parts tarnish naturally. LUXY recommends not using chemical detergents.

FABRIC: Fabric: pour some drops of neutral detergent on a damp and wringed out cloth, rub gently on the seat and leave it dry. See maintenance instructions on LUXY upholstery book. Luxy recommends using ecological products.

LEATHER: Leather is a natural product. Imperfections give to the material its unmistakable aspect. In presence of marks, they have to be removed with a soft wool cloth. In case of ingrained stains, use only products for leather coloured with aniline. Do not expose leather to direct sunlight. Luxy recommends using ecological products.

CASTORS/FEET: For the enduser security and for different types of floor, different types of castors are available, as per security rules:
- hard castors for sift floors
- rubber castors for hard floors (standard).

MATERIAL AND RECYCLABILITY

