

management desk  
TECHNICAL FILE

# Supra



BOS  
BARCELONA  
— SINCE 1964 —

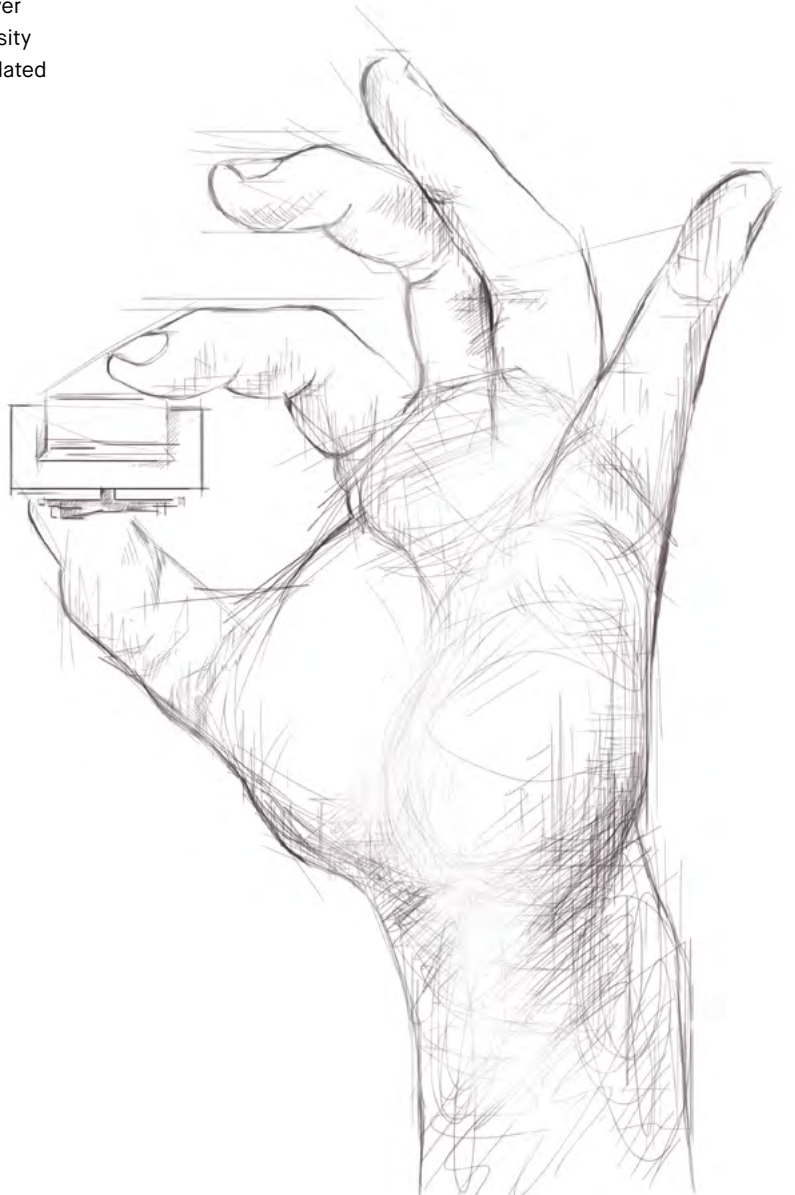
## Materials, Finishes & Quality

- Table top core is MDF Mediland quality LP classified as Class E1 according to European norm EN 622-1:2003 and density between 600-620KGS/m3 which is maximum in furniture appliance.
- To achieve the piano lacquer finish a thick layer of lacquer is applied which afterwards goes through a 10 days manual polishing process with wool.
- All pieces come with three layers of polish with **sanding by hand** between each layer to achieve an optimal smooth adherence and durability.
- The wooden parts are all **polished** with lacquers of polyurethane with high content of solids to build a greater hardness without losing the sensation of the wooden touch.
- The decorating elements are made by **laser cut stainless steel** finished by hand.
- The structures are made of steel given an **exclusive treatment** which consist of niquel bath, lacquered and polished by hand.
- All tables are **finished by hand**, pre-assembled in the factory, numbered one by one to guarantee a perfect assembly for the final client.
- **Unique packaging** in reticulated polyethylene foam, triple layer of laminate polyethylene with hermetic bubbles 5x5 and density of 5400 bubbles/m2, corner protectors of high density reticulated polyethylene foam and cardboard box made to fit.



UNE-EN ISO  
9001:2015

UNE-EN ISO  
14001:2015

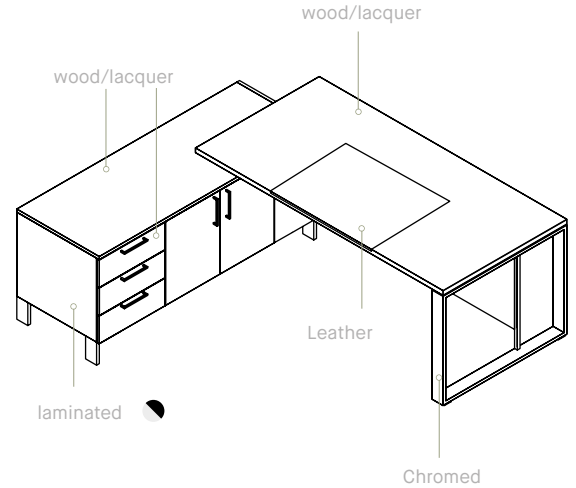


# SUPRA

## TECHNICAL PRESENTATION

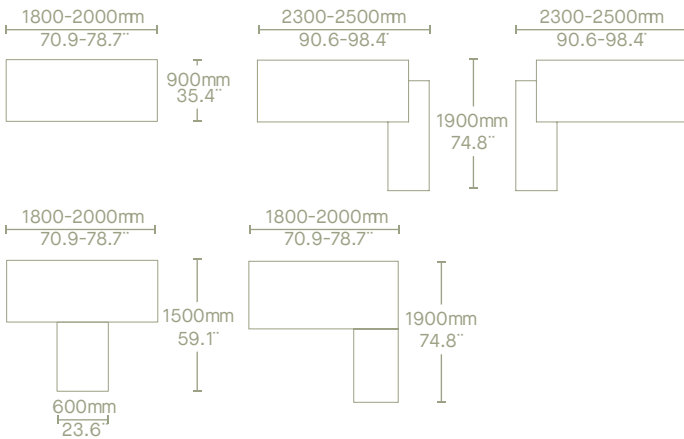
### Management desk

- Desk with **MDF top of 30 mm/1.2"** with wood veneer or piano lacquer (**color customized as a special request**). Table top is supported by 2 lateral closed steel frames made with rectangular steel tube.
- The freestanding desk has a structural short modesty panel in wood or piano lacquer and the option of a long modesty panel in same finishes. The **desk supported on a full storage side return** always has a long modesty panel in wood or piano lacquer finish. The modesty panel integrates nicely in the design of the desk and covers exact height of side return.
- The top is available with **central leather inlay in many different colors**. You can choose from natural genuine leather (serie 100) or eco leather (Fabric leather, Grain).
- The side return incorporates 3 drawers / drawer + filing, cabinet with shelf inside and CPU space. The return always incorporates a **round cable access** in black finish. There is the option of a cable box (Flip / Flop type) with 2 power + 2xRJ45 or custom configuration. **The box is made of steel and finish can be painted white, black or aluminum or chromed**
- The structural beam is connected to table top with fittings Din7991 of 6x40mm/0.24+1.6". The 2 steel frames are connected by a structural steel beam of 40x25x1,5mm/1.6+1+0.06".
- The desks come with **levelers for floor adjustment**

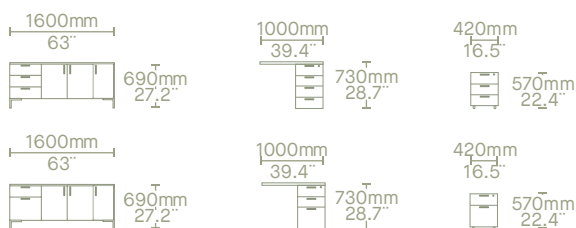


### Dimensions

#### Office desks



#### Return side credenzas



BOS BARCELONA

### Table top

#### Thickness



#### Shape



#### Finishes

Wood  
Lacquer  
Leather

### Structure

#### Shapes



#### Finishes

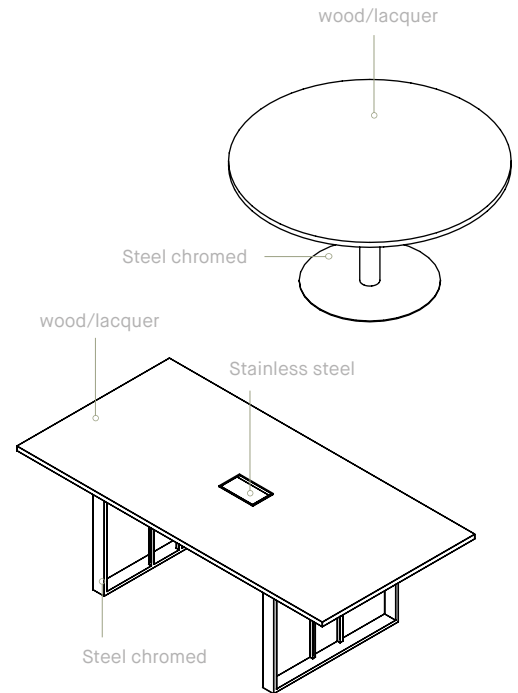
Steel chromed

# SUPRA

## TECHNICAL PRESENTATION

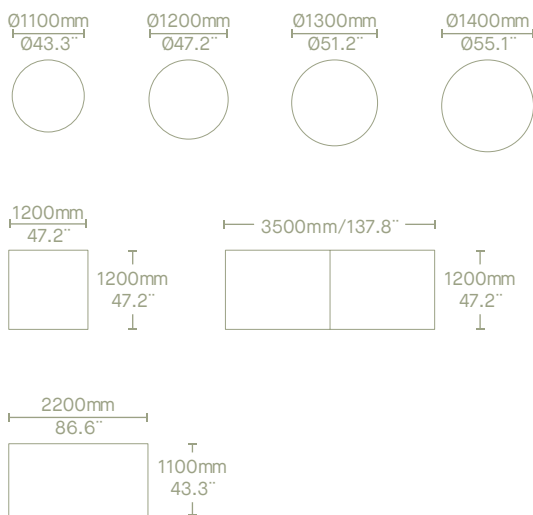
### Conference tables

- Conference table with **MDF top of 30 mm/1.2"**.
- Conference table with natural veneer or piano lacquer finish (white/black). The piano lacquer finish **can be color customized as a special request**. The supporting steel structure chromed finish. **The structure incorporates a central structural short modesty panel** in wood or piano lacquer finish.
- The conference tables with **cable management** needs a double short modesty panel to centrally locate cable boxes (Flip / Flop type) with box of 3 positions (2 power + 2xRJ45) 6 positions (4xpower + 2xRJ45 + 1xUSB 1xHDMI) or custom configuration. Vertical cable management via lateral lacquered leg or chromed cable spiral.



### Dimensions

#### Meeting tables



#### Table top

##### Thickness



##### Shape

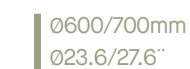


##### Finishes

Wood  
Lacquer

#### Structure

##### Shapes



##### Finishes

Steel chromed

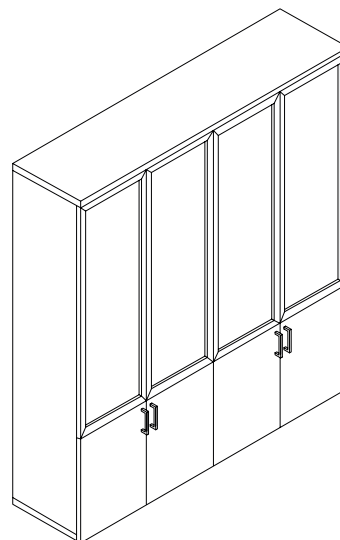
# SUPRA

## TECHNICAL PRESENTATION

### STANDARD COLLECTION

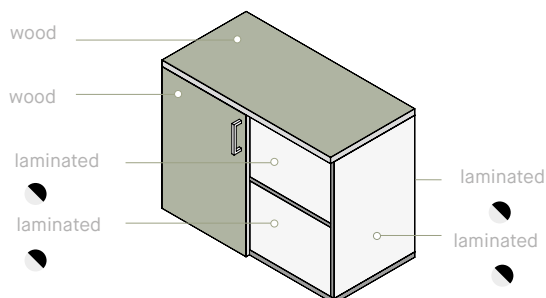
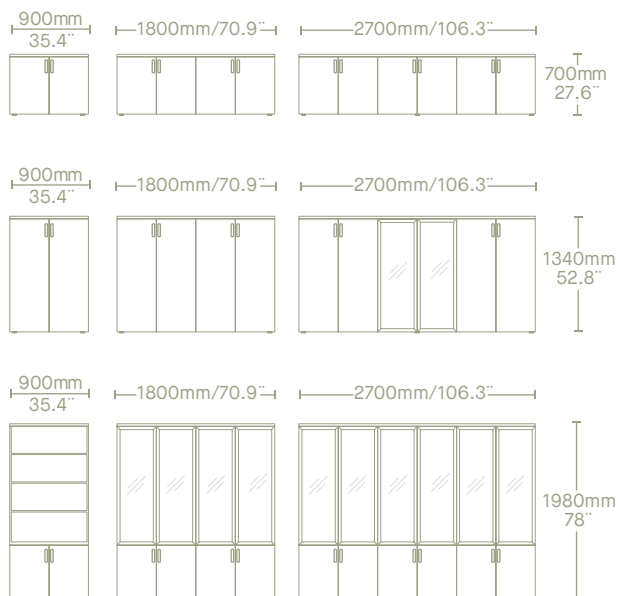
#### Credenzas & Bookcases

- Credenzas and bookcases from the **Standard collection** have tops and fronts made of wood.
- Structure of base, inner panels, back, shelves, doors and sides are laminated in white or black.
- Transparent glass doors option with aluminium profile.
- Accessories can be added as lockery system, hangers and pull out filing drawers.



#### Dimensions

##### Credenzas & bookcases compositions

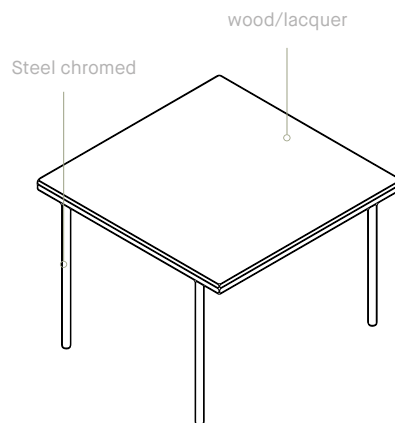


# SUPRA

## TECHNICAL PRESENTATION

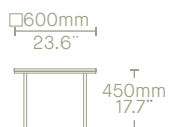
### Occasional tables

- Occasional table with **MDF top of 19 mm/0.75"**.
- Occasional tables with steel structure in painted (black, white or aluminum) or chromed finish and tops finished in natural wood veneer, white/black piano lacquer or frosted glass



### Dimensions

#### Occasional tables



#### Table top

##### Thickness



##### Shape



##### Finishes

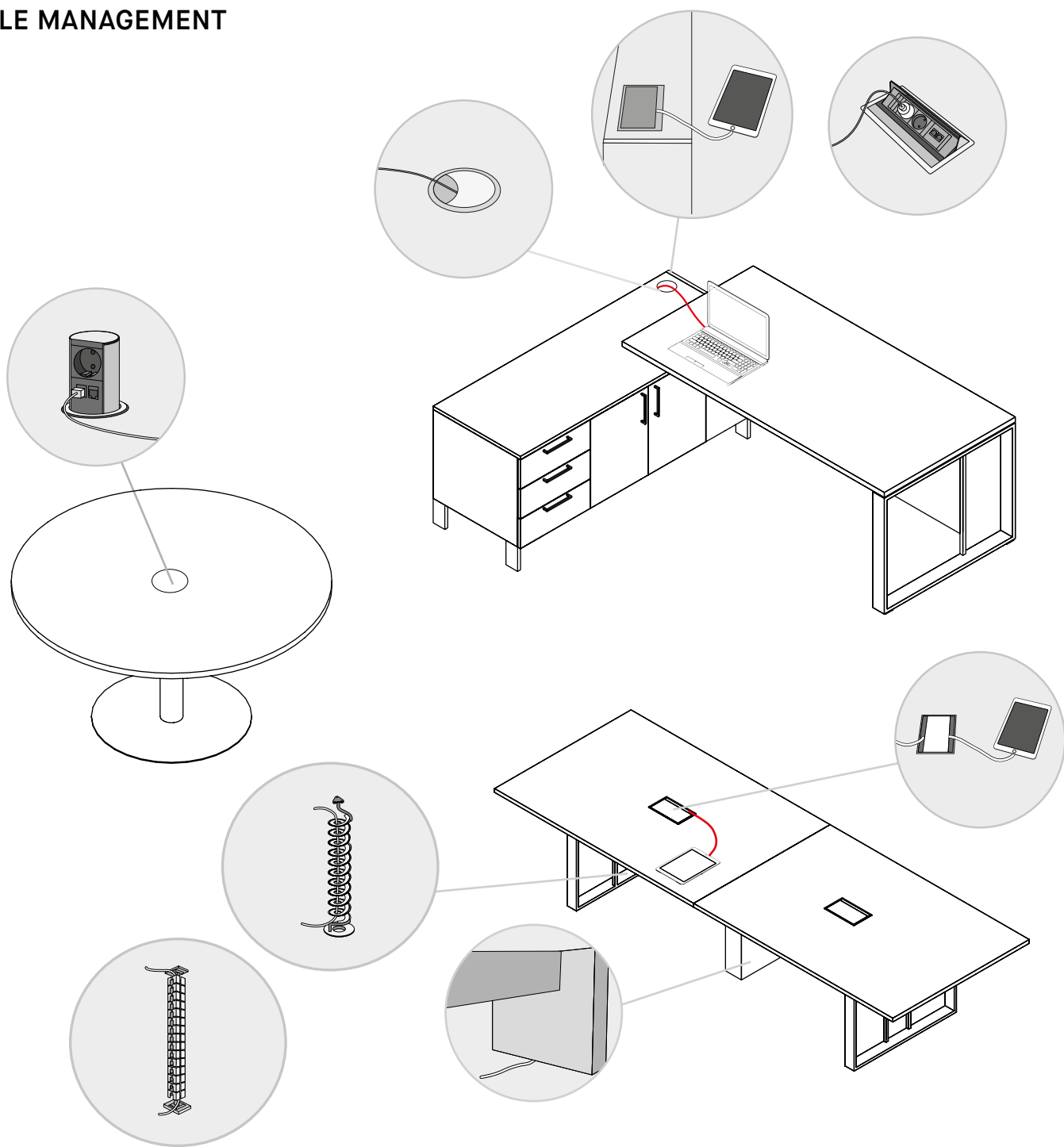
Wood  
Lacquer

#### Structure

##### Finishes

Steel chromed

# SUPRA CABLE MANAGEMENT



## Powerstrip options - Power strip three positions



Schuko



UK socket



US socket



Euroamericana



Charger USB



USBA



USBB



USBC



RJ45 cat6



HDM



VGA with jack



DVI



XR L 3 pin



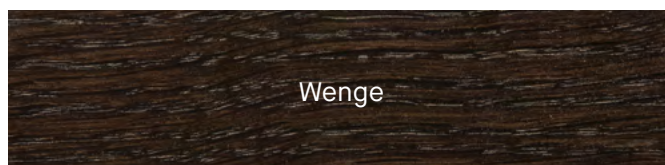
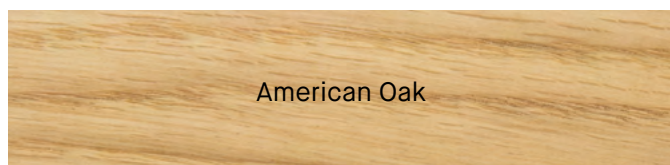
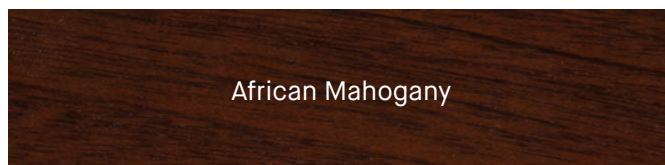
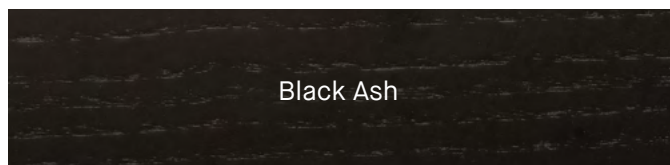
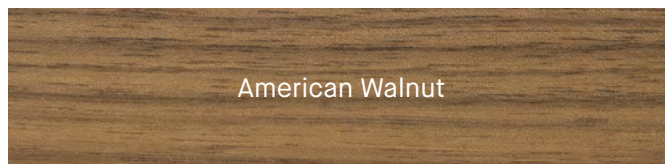
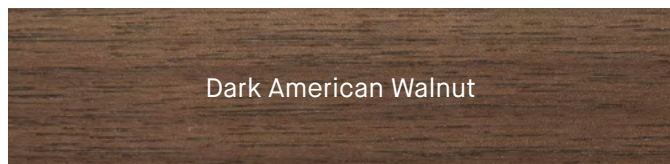
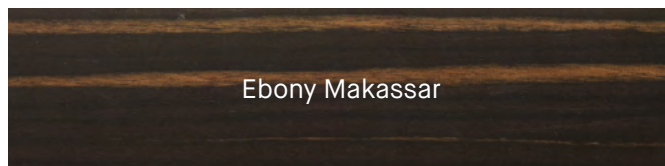
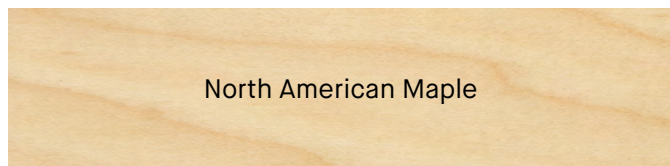
RCA



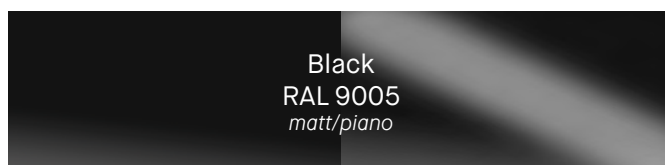
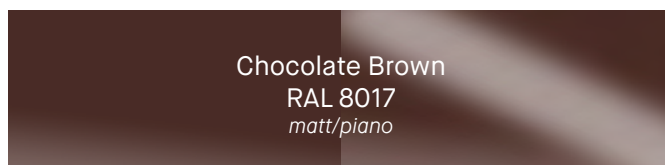


# SUPRA FINISHES

## Natural wood veneers



## Lacquer finishes



**Full Grain Leather - serie 900 - Category Leather**

979	949	929
913	916	902
907	954	939
911	947	927
967	937	941
942	909	920
930	945	922
904	914	925
900	935	943
908	944	912
903		

**Natural Leather - serie 100 - Category Leather**

179	136	126
131	142	117
113	127	121
197	125	103

**Eco leather - Valencia - Category FAB1**

8032	1048	1049
1001	0002	9001
4001	1050	0035
2020	6019	0033
6012	2075	2062
5001	5069	0020
3001	3069	3067
4040	4002	4045
4043	4041	4003
		9035

**Eco leather - Chronos - Category FAB2**

0001	0002	0003
0008	0004	0007
0005	0006	0009
0013	0011	0010
0018	0019	0020


**Eco leather - Polaris - Category FAB2**


3393	3635	4712
3895	4714	3664
G296	2070	2938
3540	3663	3685
2774	2862	565




Diagonal 456  
08006 Barcelona (Spain)

T +34 932 370 942  
info@bos1964.com


 [bosbarcelona.com](https://www.bosbarcelona.com)

 Instagram  
[@bosbarcelona](https://www.instagram.com/bosbarcelona)

 Facebook  
[/bos1964](https://www.facebook.com/bos1964)

 LinkedIn  
[Bos Barcelona](https://www.linkedin.com/company/Bos-Barcelona)

 Pinterest  
[/bos1964](https://www.pinterest.com/bos1964)

 Youtube  
[BOS Barcelona](https://www.youtube.com/BOS-Barcelona)